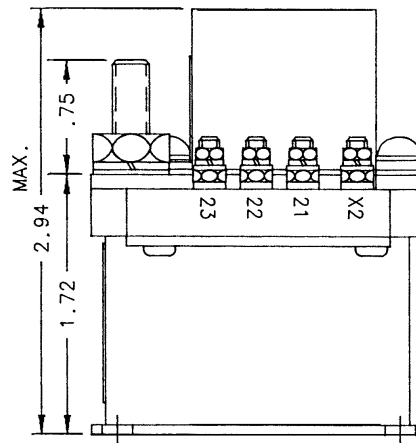
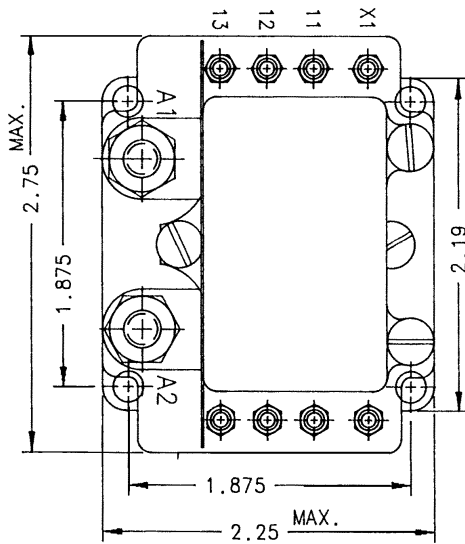
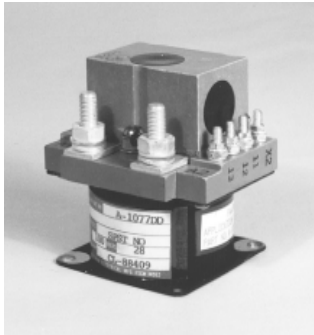
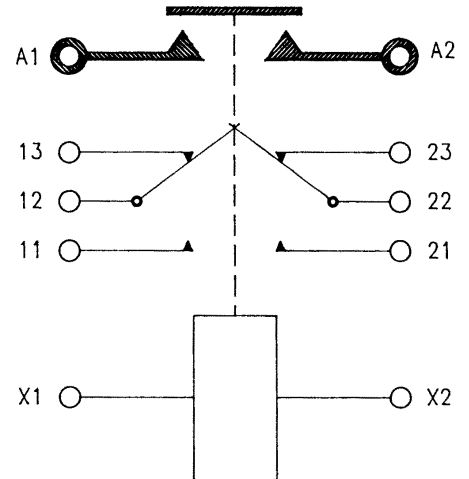


# A-1077F SPST N.O., 200 Amps, 28 VDC



**CONTACTOR CONFIGURATION**



Dimensions for this product are expressed in inches. Multiply values by 25.4 for millimeters.

PRODUCT SPECIFICATIONS	
Construction	Gasket Sealed, Silastic Sealed
Main Contacts:	
Configuration	SPST N.O.
Voltage (Nominal)	28 VDC
Current (Resistive)	200 Amps
Auxiliary Contacts:	
Configuration	2PDT
Voltage (Nominal)	28 VDC
Current	
Resistive	5 Amps
Inductive	3 Amps
Coil Data:	
Duty Cycle	Continuous
Voltage (Nominal)	28 VDC
Pick-Up Voltage @ +25°C	16.5 VDC Maximum
Drop-Out Voltage	.5 - 7 VDC
Coil Current @ 28 VDC & +25°C	
In-Rush	0.4 Amp
Hold	0.4 Amp
Operating Temperature	-55°C to +71°C
Life:	
Electrical	50,000 Cycles
Mechanical	100,000 Cycles
Weight Maximum	1 Lb. 10 Oz.

**Notes:**

For factory-direct application assistance, contact the HARTMAN product team at (419) 521-9500, Fax (419) 526-2749.

© 2004 by Tyco Electronics Corporation. All Rights Reserved. HARTMAN and TYCO are trademarks.